

Determined to improve

Armaton 4000 XF

Armaton 4000 XF – a weight-optimised platform pillar system for the maximum possible payload for vehicles with a loading capacity of up to 6000 kg. The platform pillar is easy to use, durable and ergonomic – a natural choice if you need all the advantages of flexibility and stability when building superstructures for coverings etc. The unique 160° handle action simplifies loading and unloading. The handle is also replaceable. With a frame of anodised aluminium and component parts of the highest quality, the product is to all intents and purposes maintenance-free.

In addition to the pillars there are a wide range of fittings to cover most requirements. Armaton 4000 XF is available in three dropside heights as standard: 300, 400 and 600 mm.

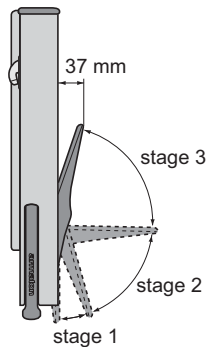


fig 1

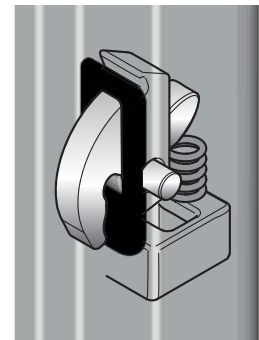


fig 2

Unique handle action

Loading and unloading is simplified thanks to the unique 160° handle action, plus there is less risk of injury; see figure 1.

Enhanced safety

The locking mechanism has a three-stage action to improve safety.
 Stage 1: Balanced position
 Stage 2: The lock hook is not actuated, clearance
 Stage 3: The lock hook opens
 See figure 1.

No freeplay, great gathering ability

The latch is spring-loaded so that, together with the wear plate, it takes up all the free play in all directions between the pillar and dropside. The design is optimised for the greatest possible gathering ability. This gives a simple, smooth and distinct locking action, see figure 2.



fig 3

Simple to supplement with superstructure

Do you need to fit covers or other equipment?
 Remove the plastic cap and adjust your adapter to the profile, and just keep building.
 See figure 3.

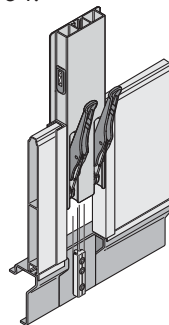


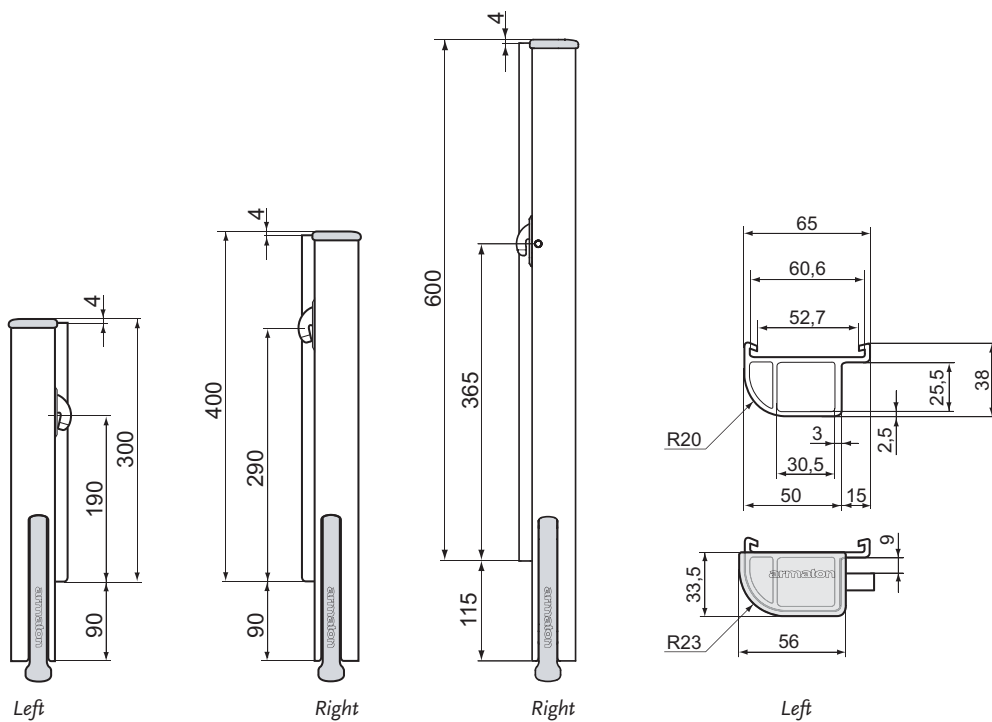
fig 4

Stable and safe attachment

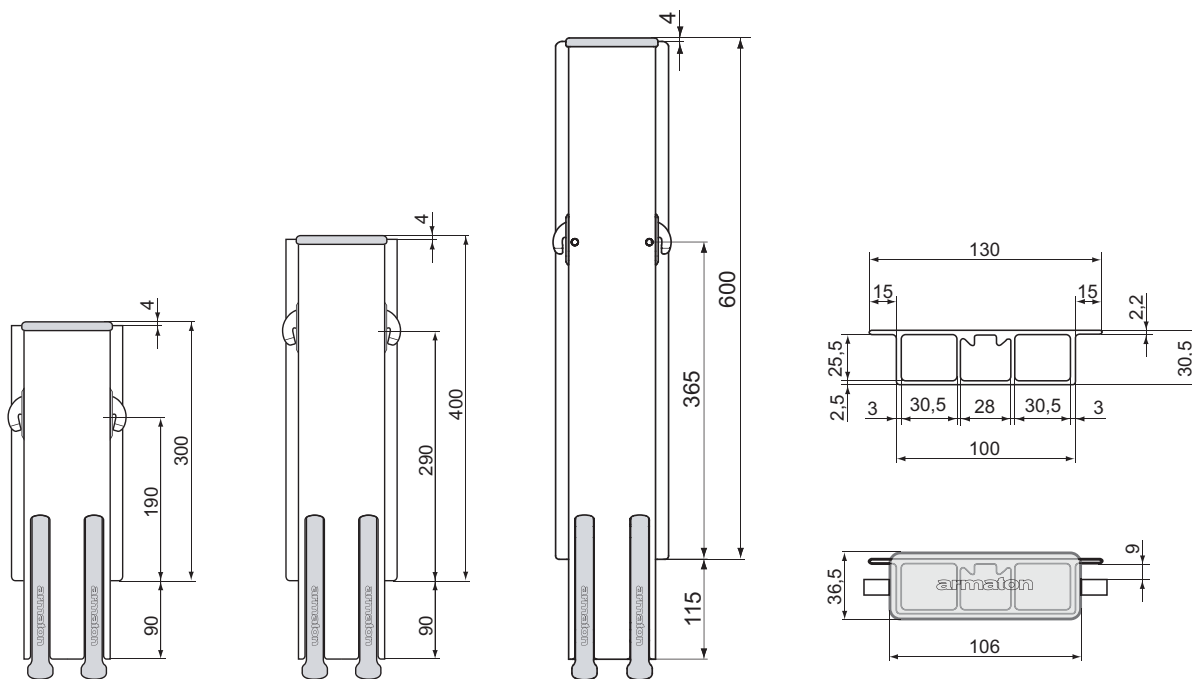
The side and rear pillars can, if necessary, easily be lifted off from the attachment in open position. In closed position they are locked secure.
 See figure 4.

Replaceable handles, reduced maintenance costs

A special handle kit is available as a spare part, for easy replacement.



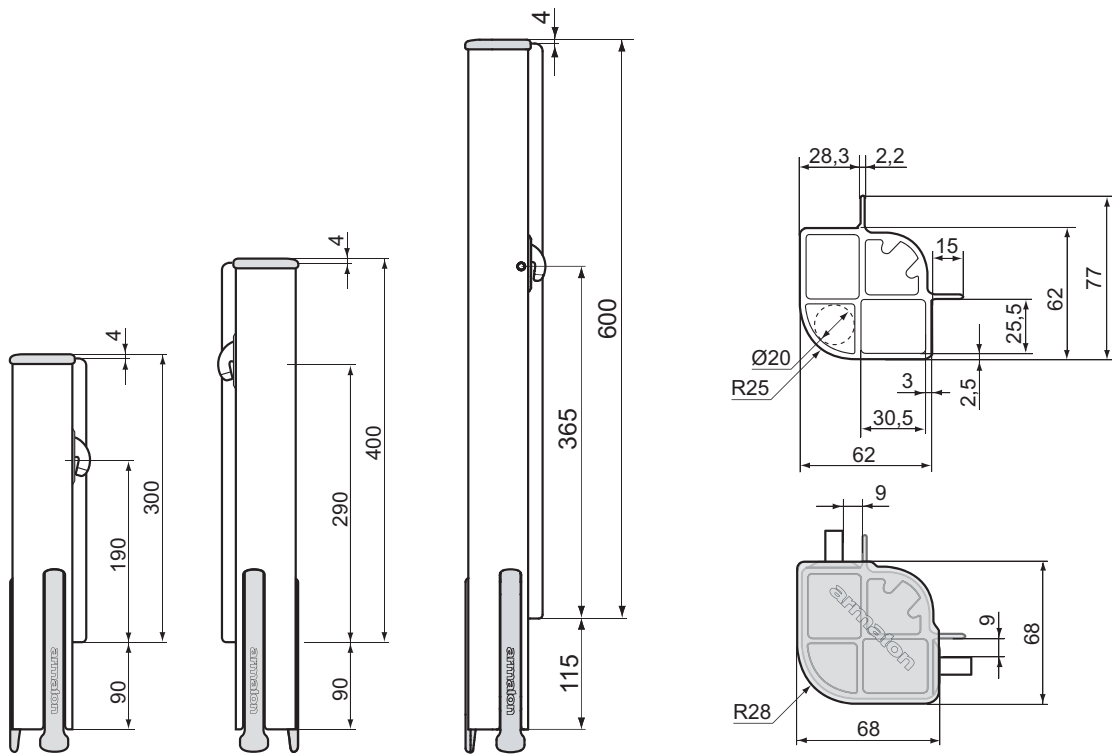
Front pillar, 300 mm/400 mm/600 mm



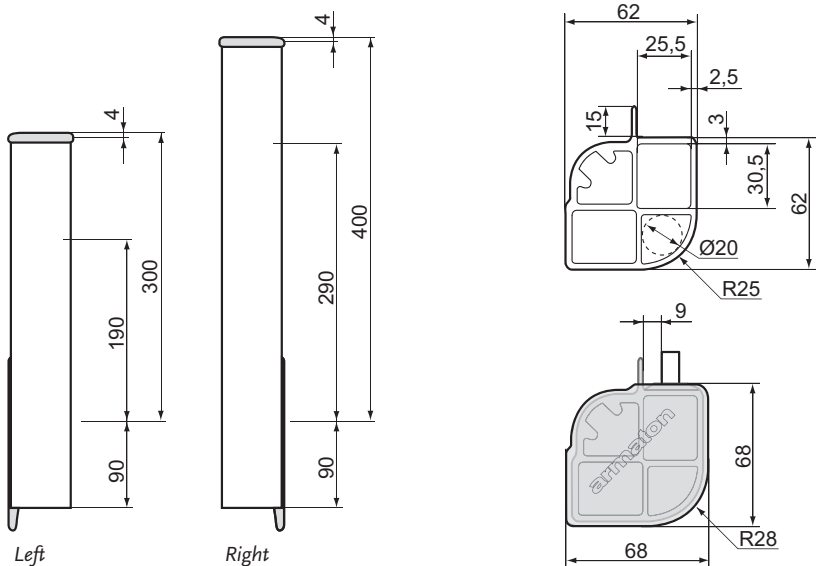
Side pillar, symmetrical, 300 mm/400 mm/600 mm

Specifications

Description	Weight	Part no.	Description	Weight	Part no.
300 mm dropside height:			600 mm dropside height:		
Front pillar, left	0,7 kg	54-257000	Front pillar, left	1,22 kg	54-270000
Front pillar, right	0,7 kg	54-257100	Front pillar, right	1,22 kg	54-270100
Side pillar	1,35 kg	54-257200	Side pillar	2,34 kg	54-270600
400 mm dropside height:			Armaton 4000 XF is tested in accordance with European Standard EN 12642 for vehicles up to a loading capacity of 6000 kg.		
Front pillar, left	0,86 kg	54-257600			
Front pillar, right	0,86 kg	54-257700			
Side pillar	1,67 kg	54-257800			



Rear pillar, symmetrical 300 mm/400 mm/600 mm



Rear pillar, tail lift 300 mm/400 mm

Specifications

Description	Weight	Part no.	Description	Weight	Part no.
300 mm dropside height:			600 mm dropside height:		
Rear pillar, symmetrical	1,45 kg	54-257300	Rear pillar, symmetrical	2,48 kg	54-269900
Rear pillar for tail lift, left	1,25 kg	54-257400			
Rear pillar for tail lift, right	1,25 kg	54-257500			
400 mm dropside height:			Armaton 4000 XF is tested in accordance with European Standard EN 12642 for vehicles up to a loading capacity of 6000 kg.		
Rear pillar, symmetrical	1,73 kg	54-257900			
Rear pillar for tail lift, left	1,47 kg	54-258000			
Rear pillar for tail lift, right	1,47 kg	54-258100			

For edge caps, see Profiles and Attachments.

