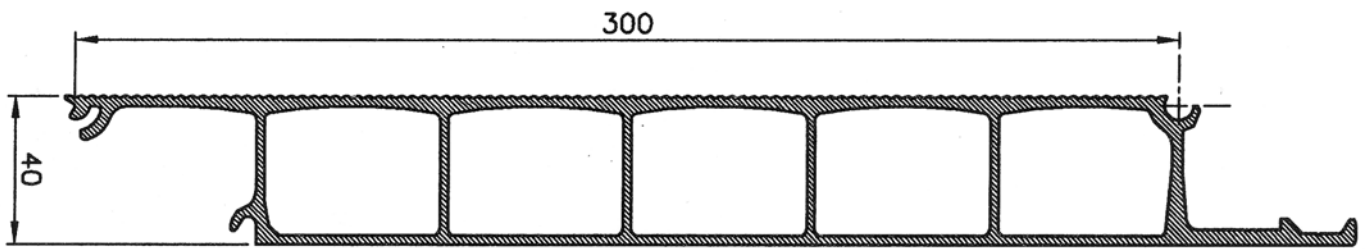
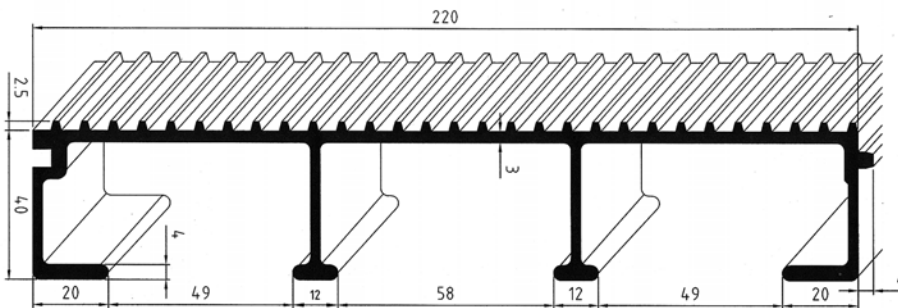


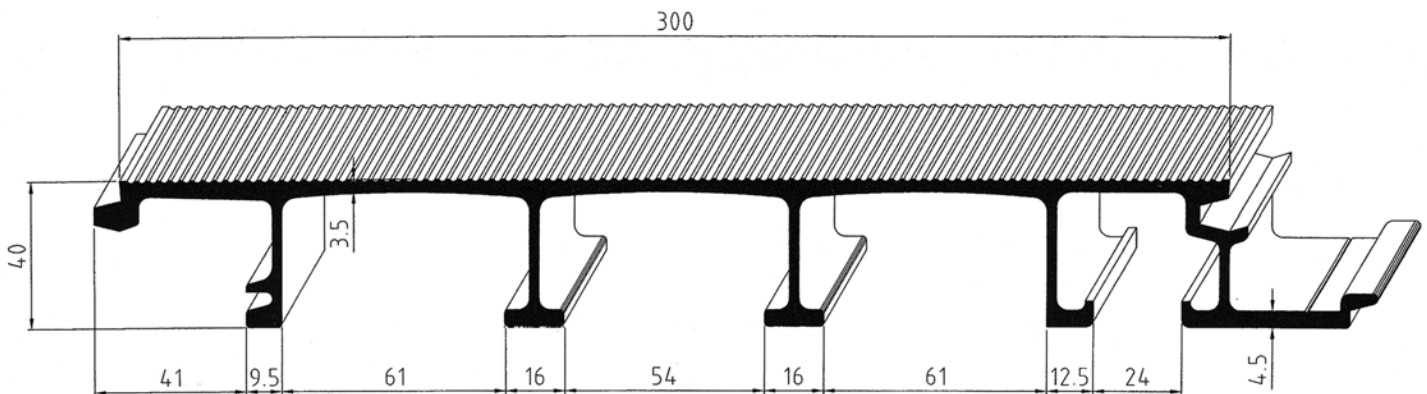
1041095
 2,85 kg/m
 $I_x = 11,9 \text{ cm}^4$
 $W_x = 5,4 \text{ cm}^3$



1127231
 6,37 kg/m
 $I_x = 65,3 \text{ cm}^4$
 $W_x = 30,8 \text{ cm}^3$



1040422
 3,90 kg/m
 $I_x = 31,8 \text{ cm}^4$
 $W_x = 11,3 \text{ cm}^3$



1012369 (Ej lagervara)
 6,07 kg/m
 $I_x = 49,2 \text{ cm}^4$
 $W_x = 19,0 \text{ cm}^3$